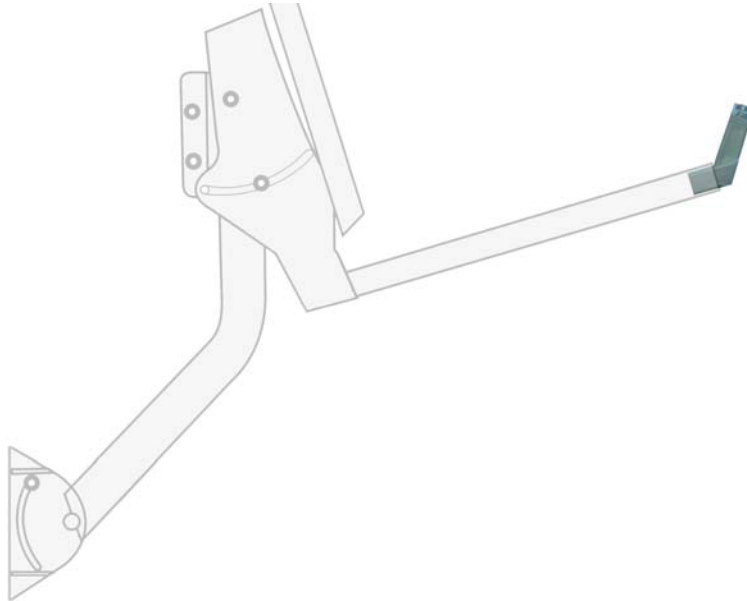


# FREEVIEWSHOP

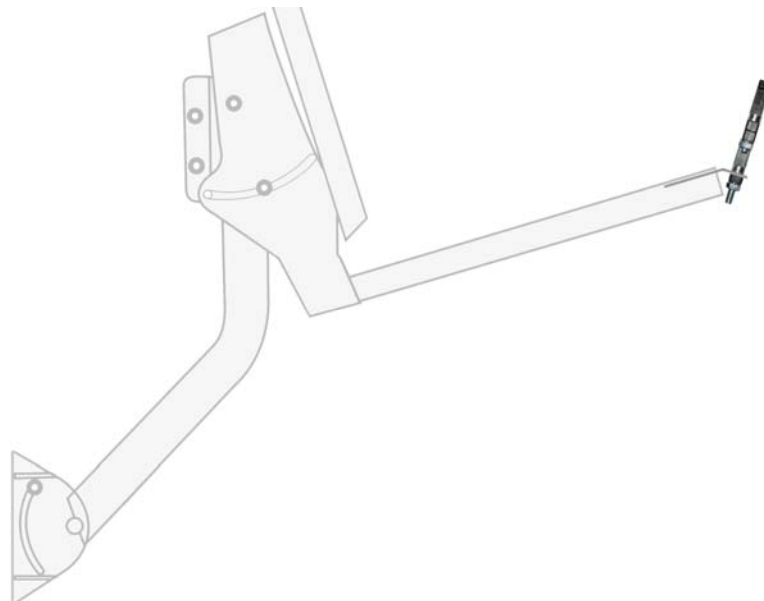
## Installation Instructions for the Zenus 40mm Neck Conversion Kit

This conversion kit allows you to convert any KU band satellite dish with a 23mm throat bracket to accept standard 40mm throat LNBs. It replaces the 23mm throat LNB bracket fitted to the dish.

Simply disconnect the existing LNB by pulling the plastic boot that covers the connection between the LNB and cable, then unscrew the F type connector. Now remove the LNB Bracket shown below:



Replace it with the conversion kit, it will bolt against the top internal surface of the rectangular arm that holds the LNB.



Then install the new 40mm throat LNB with the skew shown in its installation instructions and reconnect the cable.