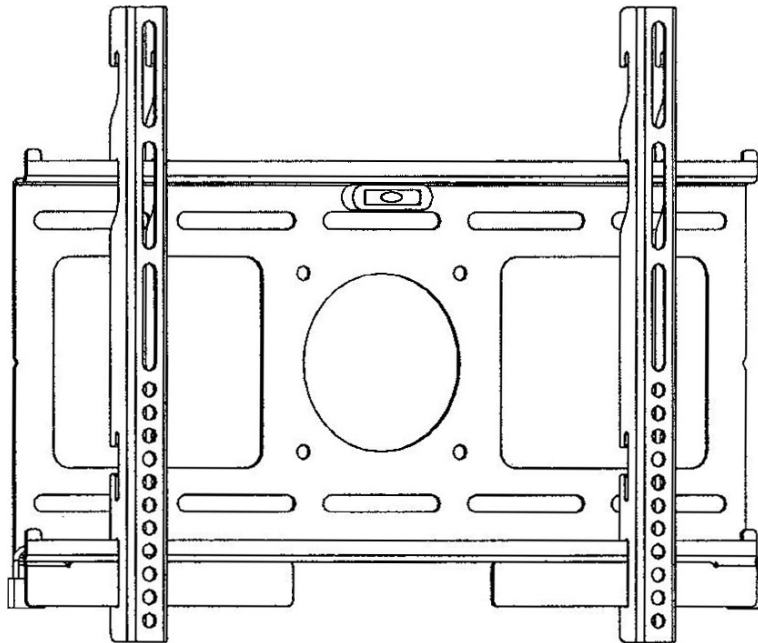


# FREEVIEWSHOP

## Installation Instructions for the WM-ULPF800 37" - 50" Ultra Low Profile TV Wall Mounting Bracket.

The ultra low profile mount fits most 37" - 50" flat panels up to 75Kg. This mount is recommended for applications where seamless integration is required.



### Features:

- Easy Installation
- 30mm mounting profile
- Universal rails for greater panel compatibility
- Safety Locking system secures panel to mount
- Balance Adjust System
- Includes complete hardware kit
- -60mm of vertical height Adjustment
- Max Hole distance: 627mm x 430mm

## SAFETY WARNING

This product LCD/Plasma Wall Mount Bracket is intended for use only within the maximum weights indicated. See apparatus instructions. Use with products heavier than the maximum weights indicated may result in instability causing possible injury.

This product should only be installed by someone of good mechanical aptitude, has experience with basic building construction, and fully understands this manual.

Make sure that the supporting wall surface will safely support the combined load of the equipment and all attached hardware and components.

Never exceed the maximum load capacity.

If mounting to wood wall stud wall construction, make sure that mounting screws are anchored in the centre of the studs. Use of a stud finder is highly recommended.

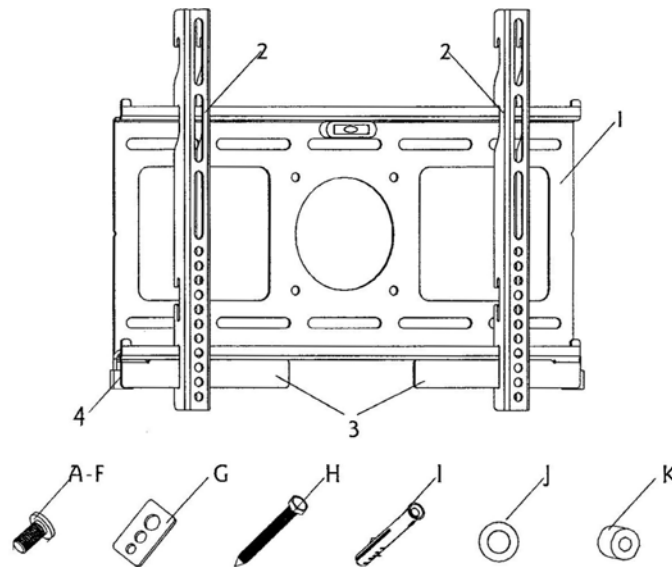
Always use an assistant or mechanical lifting equipment to safely lift and position equipment.

Tighten screws firmly, but do not over tighten. Over tightening can damage the items, greatly reducing their holding power.

Around the mount location, there should be no cables, water lines or gas pipes etc.

This product is designed for wooden walls, brick walls, and concrete walls.

**Hardware List: Actual parts appearance and the quantity may differ from those illustrated.**



ID	Qty	Description
1	1	Wall mount
2	2	Bracket
3	2	Locking Bar
4	2	PadLock
A	4	M4×12mm bolt
B	4	M4×16mm bolt
C	4	M5×16mm bolt
D	4	M6×16mm bolt

ID	Qty	Description
E	4	M5×36mm bolt
F	4	M6×36mm bolt
G	4	Square washer
H	6	Long bolt
I	6	Wall anchor
J	6	Long bolt washer
K	4	Spacer

## Installation Guide

We are not responsible for any personal injury or product damage due to mishandling, incorrect mounting, incorrect assembly or incorrect use of this product.

Note: The supplied wall mounting hardware is not intended for use on steel stud walls or cold cinder block walls. If you are uncertain about the nature of your wall, please consult a qualified contractor. If the hardware you required is not included please contact your local hardware store.

### Step 1: Attach bracket to TV

Check your TV manual to confirm the diameter of the bolts to be used or choose an appropriate bolt according to the size, height and position of the holes on your TV.

For correct installation, make sure that the hook of every bracket is facing down. Use selected bolts, spacers and washers for installing the bracket at the back of display. Adjust brackets to equal heights and level. Once aligned, tightly secure the bolts.

**IMPORTANT:** Don't force a bolt into a hole; this could cause damage to equipment and injury. Don't use an electric drill to fasten any bolts.

The following examples show how to use bolts, spacers and square washers.

1. Some displays have vertical backs. No spacer is required. Install the bracket directly to the back of the display by using bolts and square washers provided. As shown in Fig. 1.a.

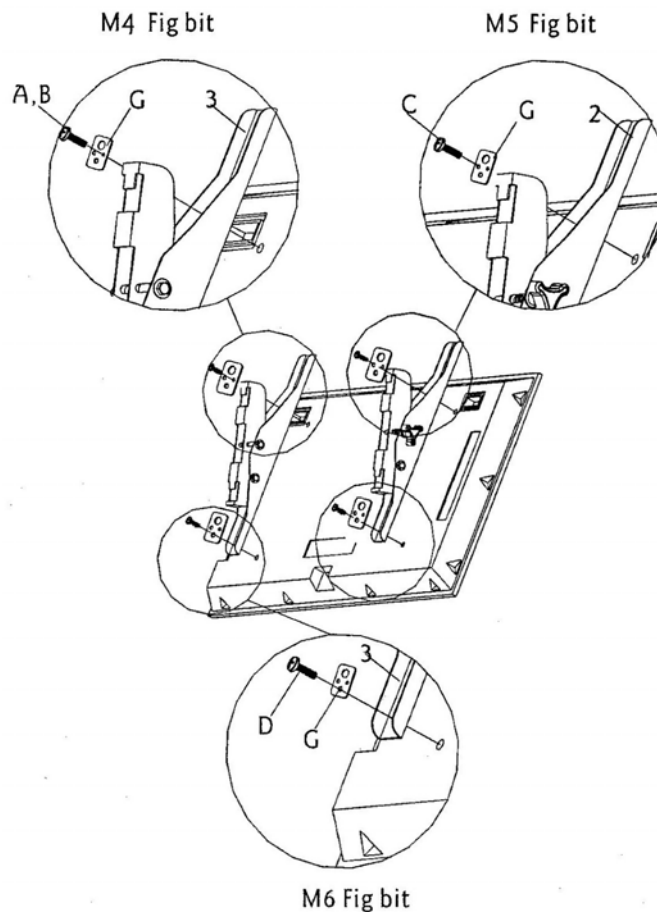


Fig 1a

- Some displays have curved backs with recessed mounting lands (Fig. a). This will require the use of spacer. For this display, install a spacer (K) between display and the bracket. As shown in Fig 1b.



Fig a

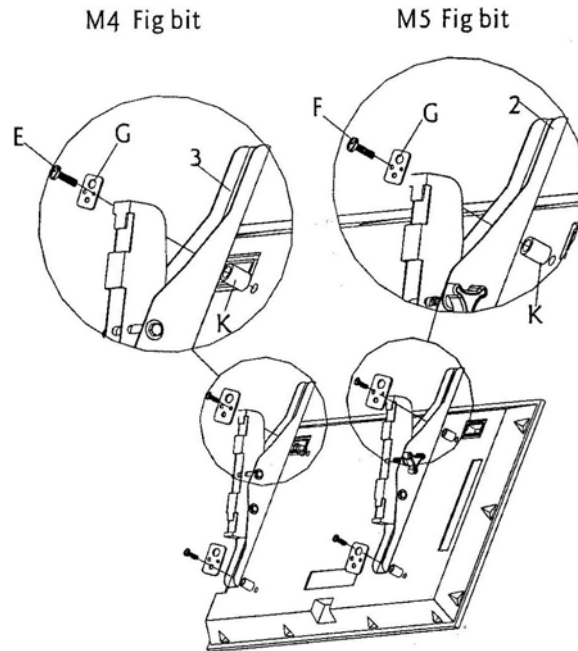


Fig 1b

## Step 2: Attach mount to wall

First, determine the height of stand:

The best height for the mount is at eyelevel for a person who is sitting on a couch. Normally, the height of eyelevel is about 1.2m from ground level. The following two distances will help to determine the perfect height of the mount:

- the distance between wall and couch (Fig 2a)
- the distance of eyelevel from ground level plus the distance measured from eyelevel of a person sitting on couch with viewing angle of 15 degrees (Fig 2a).

The perfect height of the mount will be anywhere within b, where you feel comfortable for viewing.

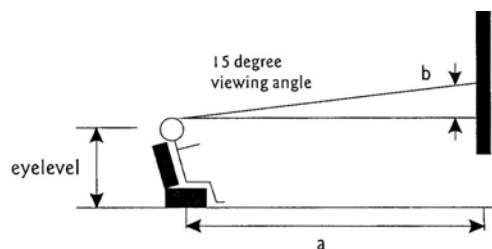


Fig 2a

After determining the height of stand, follow the installation instructions below to install the wall mount:

**Wooden wall:**

Use a pencil to mark where the screws are to be located, as shown as fig.2b. The distance between screws for fixing the wall mount must no be less than 30cm. Pre-drill these holes with a 5mm drill bit to at least 40mm. Please make sure these holes are level and located on stud centres. Use the mount as a template to mark the location of the other three holes and drill the same holes. Fix the wall mount to the wall with 4 long screw (H) and washers (J).

**Brick, Concrete wall:**

Using the wall mount as template to mark 6 holes locations on the wall. Three holes are located at the top row of the slots and three more are located at the bottom row. The outer holes must fall to the left and right of the two holes in the middle of the mount. Please make sure these holes are level and at least 15cm apart. Pre-drill these holes with a 10mm drill bit to at least 50mm deep. Insert wall anchors (I) into each of these holes. Attach the wall mount to the wall using 6 long screws (H) and washers (J).

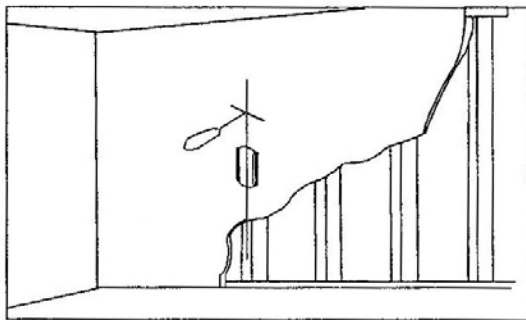


Fig 2b

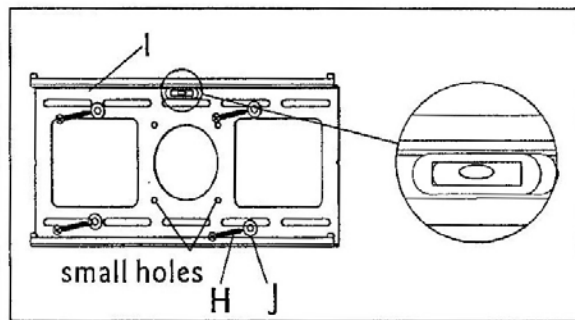


Fig 2c

Using the level-adjusting system on the plate, make sure the wall plate is installed level.

**Step 3: Hanging the display**

Firstly lift the bracket mounted display over the wall mount. And then hook the brackets over the top of the wall mount. Rotate the display letting the bottom of the brackets hook over the bottom of wall mount, as shown in Fig. 3a. Then use the Locking bar (4) to prevent the display from being removed or accidentally knocked off the wall plate. For additional security, install small padlocks (5) through the provided lock holes, as shown in Fig.3b.

**Warning:** Some TVs require two people to lift them; we are not responsible for any personal injury or product damage due to mishandling.

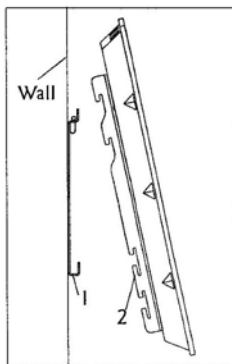


Fig 3a

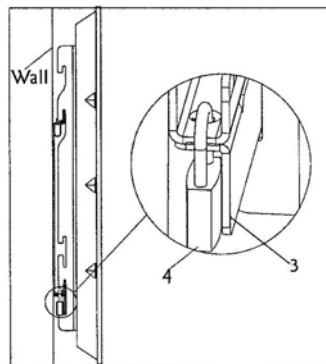


Fig 3b

## Maintenance

Once you have mounted the bracket and the flat screen, check that they are sufficiently secure and safe to use. You should repeat this check at regular intervals (at least once every three months).